

HSF

NOTES:

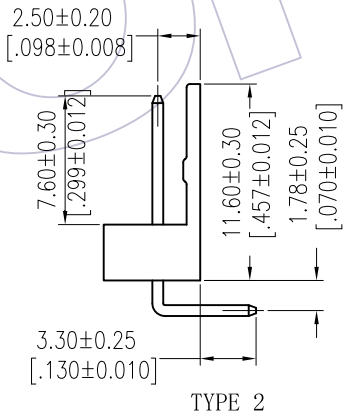
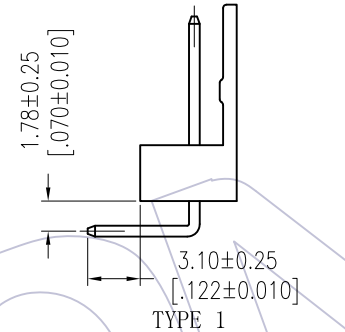
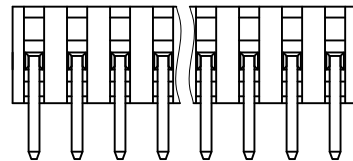
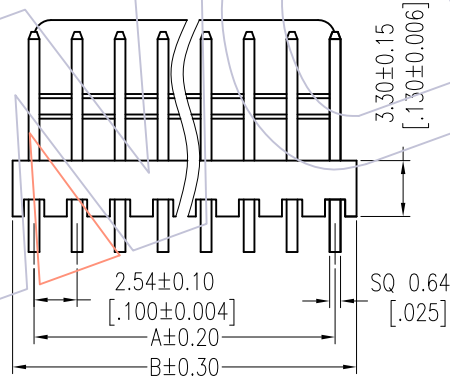
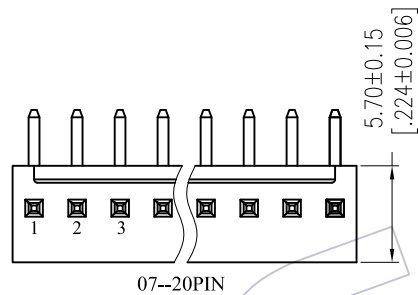
Current Rating:3.0A
 Contact Resistance:20mΩ Max
 Withstand Voltage:1000V AC/DC
 Insulation Resistance:1000MΩ Min
 Operation Temperature:-25℃ to +85℃

Contact Material:Brass
 Contact plating:Au Or Sn Over Ni
 Insulator Material:PA66 or PA46 (UL94V-0)

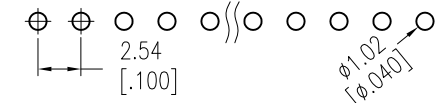
Ordering Information

WF2541 -WR XX X 0 X

No. of pins: 02--20P
 Contact Plating: S0=Gold Flash/Tin, S3=10u"Gold/Tin, S4=15u"Gold/Tin, S5=30u"Gold/Tin, G0=Gold Flash, G3=10u"Gold, G4=15u"Gold, G5=30u"Gold, Blank=Tin
 Color: B=Black, E= Beige, W=White, T=Natural
 Packing: 1=Type 1, 2=Type 2



Recommended P.C.B Layout(Top Side)
 (PCB BOARD TOLERANCE±0.05)



Specification & Ordering Information:

Circuit	Part No.	Dimension		Q'TY/ bag
		A	B	
02	WF2541-WR02X0X	2.54	5.08	1,000
03	WF2541-WR03X0X	5.08	7.62	1,000
04	WF2541-WR04X0X	7.62	10.16	1,000
05	WF2541-WR05X0X	10.16	12.70	500
06	WF2541-WR06X0X	12.70	15.24	500
07	WF2541-WR07X0X	15.24	17.78	500
08	WF2541-WR08X0X	17.78	20.32	500
09	WF2541-WR09X0X	20.32	22.86	400
10	WF2541-WR10X0X	22.86	25.40	400
11	WF2541-WR11X0X	25.40	27.94	300
12	WF2541-WR12X0X	27.94	30.48	300
13	WF2541-WR13X0X	30.48	33.02	300
14	WF2541-WR14X0X	33.02	35.56	300
15	WF2541-WR15X0X	35.56	38.10	200
16	WF2541-WR16X0X	38.10	40.64	200
17	WF2541-WR17X0X	40.64	43.18	200
18	WF2541-WR18X0X	43.18	45.72	200
19	WF2541-WR19X0X	45.72	48.26	200
20	WF2541-WR20X0X	48.26	50.80	200

TYPE	PART NO.
TYPE 1	WF2541-WRXXX01
TYPE 2	WF2541-WRXXX02

REV	DATE	MODIFICATION DESCRIPTION	CHANGE	OPERATION		DRAW Dwg	DATE 2017/04/25	SCALE UNIT	FIT mm inch	PART NO. SEE TAB	TITLE: "M"TYPE 2.54 Wafer 90°	Customer NO.
				X.X	±0.40							
A1	2017/04/25	MODIFY	△	X.XX	±0.25	CHECK	DATE	SIZE	A4			
AO	2012/09/08	NEW	—	X.XXX	±0.15		DATE	SHEET	1/1			
				Angle	± 3'	APPROVE	DATE	PROJ.	◆			
				DIM	TOL							

WCON
 Http: www.wcon.com

WCON-Dongguan Tel: +86 769 85358920 Fax: +86 769 85358915 E-mail: sales@wcon.com
 WCON-Kunshan Tel: +86 512 57468408 Fax: +86 512 57468468 E-mail: salesks@wcon.com